

承认书

SPECIFICATION FOR APPROVAL

品号 ITEM NO. : SHM. 900. 0003-2


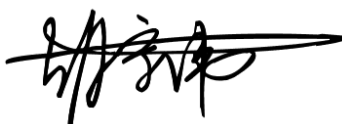

品名 DESCRIPTION: FAKRA SMB-C-K1.5-2

客户品号 CUSTOMER NO. :

客户承认 BUYER:

承认 APPROVED	审核 CHECKED	检验 VERIFIER

供方制作 SUPPLIER:

业务 SALES	工程 ENGINEER	品质 QUALITY
		

地址: 广东省深圳市宝安区福永镇凤凰第四工业区礼悦工业园C栋

Add: C building, Liyue Food Industry Garden, 4th Industry Garden, Fenghuang Village,
Fuyong Town, Baoan District, Shenzhen City, Guangdong, China

Tel: +86 (0) 755-27339472 29597854

Fax: +86 (0) 755-27339150

E-mail: shm01@szshlink.com

shm02@szshlink.com

Http://www.szshlink.com

目 录
CONTENT

I: 封面Cover.....1

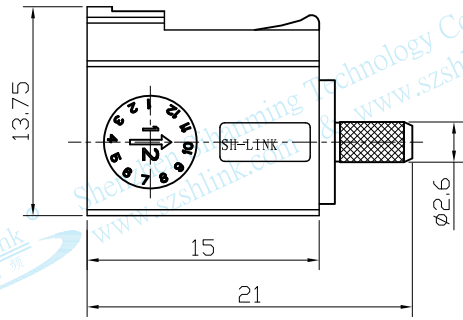
II: 目录Content.....2

III: 产品图纸Drawing.....3/4

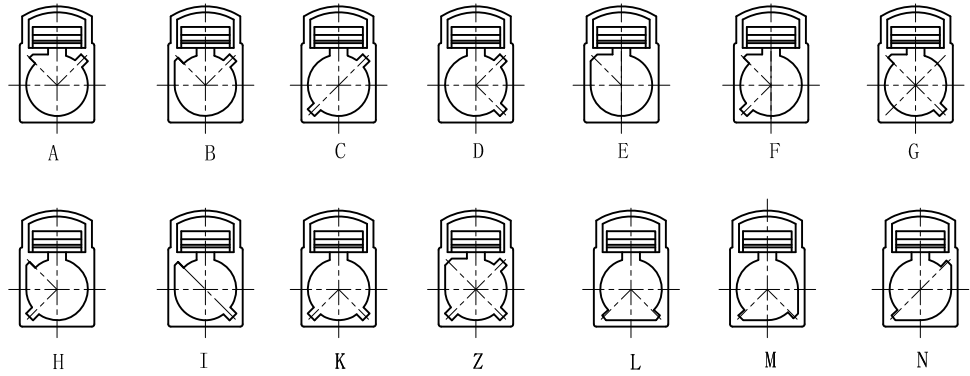
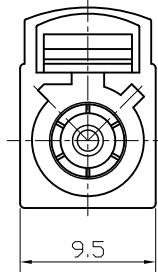
IV: 技术规格书Specification.....5/7

V: 结束Finish

RoHS Outline Drawing 外观图



Plastic shell外壳



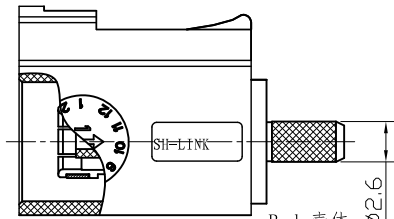
Port Type

Package:

1. Copper: 100pcs/PE bag;
2. Pin contact: 100pcs/PE bag;
3. Plastic shell 100pcs & above parts/PE bag;
4. Carton: Yellow Corrugated Carton.

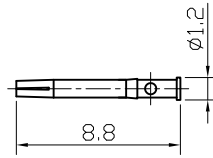
包装:

1. 铜管: 100pcs/PE袋;
2. 中心针: 100pcs/PE袋;
3. 塑胶五金壳100pcs+以上配件/PE袋;
4. 外箱: 黄色瓦楞纸箱.

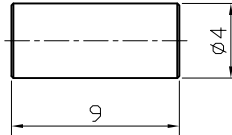


Plastic shell外壳

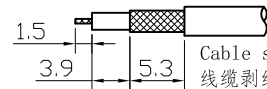
Body壳体



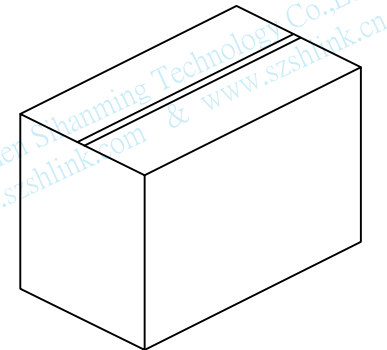
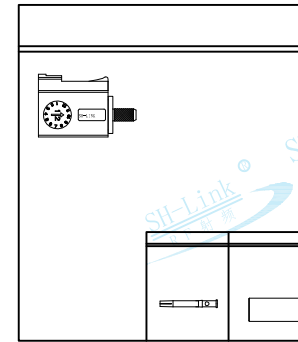
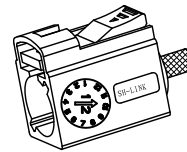
Pin contact中心针



Copper tube铜管



Cable stripping size
线缆剥线尺寸



NO	DESCRIPTION描述	MATERIAL材质	SPECIFICATION规格	QTY数量	Limits	A(±)	B(±)	C(±)	D(±)	E(±)	F(±)
7											
6	Plastic shell外壳	PA66+30%GF		1	0-6	0.03	0.05	0.08	0.10	0.15	0.20
5	Snap ring卡圈	Beryllium copper铍铜		1	6-18	0.05	0.08	0.10	0.15	0.20	0.25
4	Copper tube铜管	Brass黄铜	Nickel plated镀镍	1	18-30	0.08	0.10	0.15	0.20	0.25	0.35
3	Insulator绝缘体	PTFE聚四氟乙烯		1	30-50	0.10	0.15	0.20	0.25	0.30	0.50
2	Pin contact中心针	Beryllium copper铍铜	Gold plated镀金	1	50-80	0.15	0.20	0.25	0.35	0.50	0.65
1	Body壳体	Brass黄铜	Nickel plated镀镍	1	80-120	0.20	0.25	0.30	0.50	0.65	0.80
					120-180	0.25	0.35	0.50	0.65	0.80	0.95
					180-250	0.35	0.50	0.65	0.95	0.95	1.15

SIGNATURE	DATE作成日期
DRAWN BY	
CHECKED BY	
APPROVED BY	

SH-Link® 深圳市思翰铭科技有限公司 RF 射频 Shenzhen Sihanming Technology Co.,Ltd	
SCALE 比例 2:1	WEIGHT 重量(g) 3.38
PERSPECTIVE 视角方法	
ITEM NO品号 SHM. 900. 0003-2	PART DESCRIPTION品名 FAKRA SMB-C-K1.5-2

技术规格书

SPECIFICATION

1. 使用范围 **Using Range:**

FAKRA SMB 连接器是目前汽车广泛采用的部件，应用于：导航系统、远程控制、车载电话、车载电视、音响设备、天线等功能，对配相应色彩或适配卡口的接头和插座，部份连接器可在塑料套内 360° 旋转，便于汽车内部布线，减小电缆上的压力。

FAKRA connector is one of the auto parts. They are widely used in GPS, Remote control, car phone, car TV, hi-fi equipment, antennas, etc. It is mate with the same colors or connector and socket, and the structure is to be double-locked and fool-proofing for them.

2. 产品适用标准 **Applicable Standards:** IEC60169-1 IEC60169-10

3. 产品名称 **Product NO.:** FAKRA SMB CONNECTOR

4. 产品设计等级 **Product Design Level:**

通用连接器(2 级) Universal connector (Level 2)

4.1 工作电压 Working Voltage: 335V

4.2 工作温度 Temperature Range: -40°C ~ +85°C

4.3 工作频率范围 Frequency Range: DC-4GHz

4.4 特性阻抗 Impedance: 50Ω

5. 技术参数 **Technical Parameters:**

5.1 电气性能 Electrical Properties:

接触电阻 Contact Resistance:

内导体 Center Contact $\leq 6\text{m}\Omega$ 外导体 Outer Contact $\leq 1\text{m}\Omega$

绝缘电阻 Insulation Resistance: $1000\text{M}\Omega$

介质耐压 Medium Pressure: 1000V (符合 MIL-PRF-39012 paragraph 3.17)

(Conform to the MIL-PRF-39012 paragraph 3.17)

5.2 机械性能 Mechanical Properties:

材质 Material: 见图纸 as the drawings

包装方式 Packing: 见图纸 as the drawings

外观尺寸 Appearance size: 见图纸 as the drawings

外壳保持力 Shell Retention: $>110\text{N}$

(符合 MIL-PRF-39012 paragraph 3.5 Axial Force)

(Conform to the MIL-PRF-39012 paragraph 3.5 Axial Force)

插入力 Insertion force: $\leq 25\text{N}$

(符合 MIL-PRF-39012 paragraph 3.5 Axial Force)

(Conform to the MIL-PRF-39012 paragraph 3.5 Axial Force)

拔出力 Pull out the output: $\leq 25\text{N}$

(符合 MIL-PRF-39012 paragraph 3.5 Axial Force)

(Conform to the MIL-PRF-39012 paragraph 3.5 Axial Force)

机械寿命 Mechanical life: >50 次 (频率 10 次/MIN)

>50 cycles (frequency 10 cycles/MIN)

(符合 MIL-PRF-39012 paragraph 3.15)

(Conform to the MIL-PRF-39012 paragraph 3.15)

SMB 连接器机械寿命 SMB connectors mechanical life: >500 次

(频率 12 次/分钟) (frequency 12 cycles/MIN)

5.3 环境性能 Environmental Performance

耐温 Temperature Range:

环境温度 Environment temperature: $-40^{\circ}\text{C} \sim +105^{\circ}\text{C}$

耐盐雾 Salt Fog: >48 H

耐潮湿 Resistance to Moisture: 相对湿度 +40°C 时达 95%

Relative humidity +40°C When it is up to 95%

6. 互配关系 **Mating Relations:** 可与 FAKRA 同类型对配件相配.

Can be matched types of same FAKRA series and accessories.

7. 安装方式 **Installation:** 对正后对插啮合卡紧.

Which mate with the same colors, and locked them tightly in the flat surface.

8. 存放条件 **Storage Conditions:**

在温度 $-10 \sim +35^{\circ}\text{C}$, 相对湿度: 不大于 80%, 周围空气中无酸、碱等
腐蚀气体的库房内保存.

In the temperature $-10 \sim +35^{\circ}\text{C}$, Relative humidity: No more than 80%, there
are no acid or Alkali corrosion gas in the surroundings, such as save it in the
warehouse.